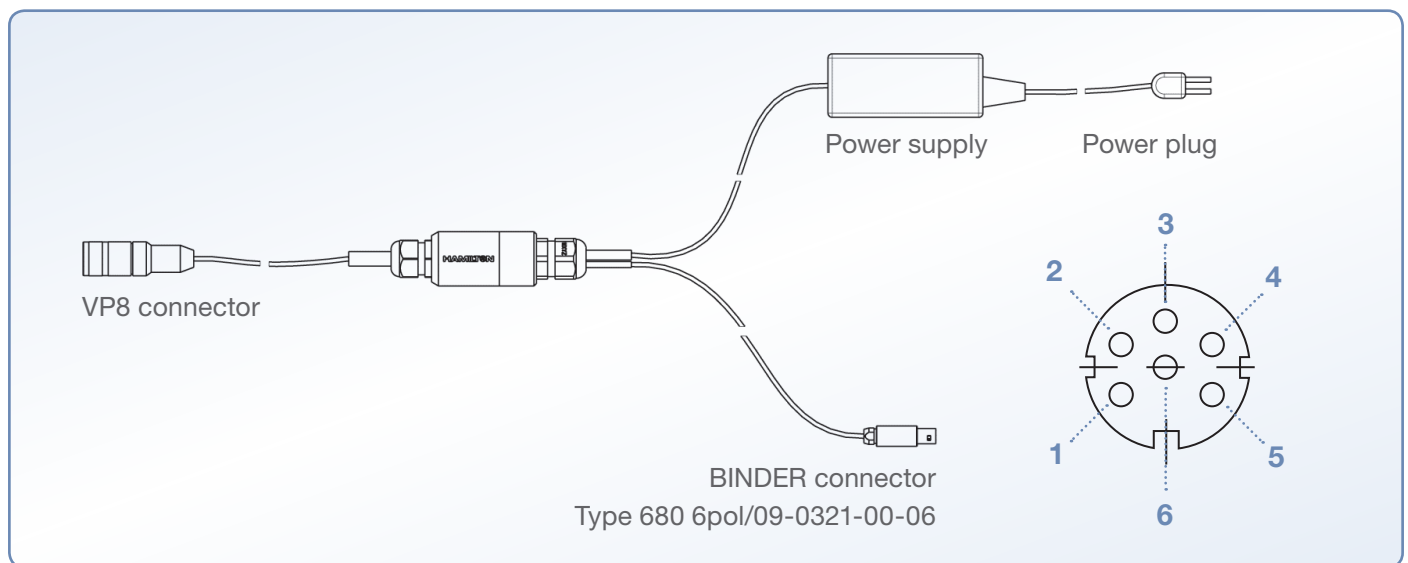


# Sensor Power Cable 4m Binder Plug

The Sensor Power Cable 4m BINDER Plug (P/N: 355258-XX) is designed for connection of the VisiFerm DO classic sensor to the DASGIP control system with BINDER plug (type 680 6pol/09-0321-00-06).

The cable can be used for VisiFerm DO sensors with ECS interface.

For details refer to the manual: "VisiFerm DO Sensors Operating Instruction" P/N: 624156.



**VP8 socket pins have the following designation:**

VP pin	Function
A	Cathode
B	Anode
C	V+
D	GND VisiFerm
E	NTC1
F	NTC2
G	Not connected
H	Not connected

**BINDER socket pins have the following designation:**

BINDER	Function
1	NTC1
2	Not connected
3	GND Dasgip
4	Not connected
5	Cathode
6	Anode / NTC2
Shield	Not connected

Power Supply  
V+  
GND VisiFerm

The code XX in the product number 355258-XX defines the type of electrical power plug:

- 01 – Power cord EU
- 02 – Power cord CH
- 03 – Power cord US
- 04 – Power cord UK
- 05 – Power cord AU

© 2012 Hamilton Bonaduz AG. All rights reserved.  
P/N 624509/00 – 10/2012

**HAMILTON**

Web: [www.hamiltoncompany.com](http://www.hamiltoncompany.com)

USA: 800-648-5950

Europe: +41-81-660-60-60

**Hamilton Americas & Pacific Rim**  
4970 Energy Way  
Reno, Nevada 89502 USA  
Tel: +1-775-858-3000  
Fax: +1-775-856-7259  
[sales@hamiltoncompany.com](mailto:sales@hamiltoncompany.com)

**Hamilton Europe, Asia, & Africa**  
Via Crusch 8  
CH-7402 Bonaduz, Switzerland  
Tel: +41-81-660-60-60  
Fax: +41-81-660-60-70  
[contact@hamilton.ch](mailto:contact@hamilton.ch)

To find a representative in your area, please visit [hamiltoncompany.com/contacts](http://hamiltoncompany.com/contacts).