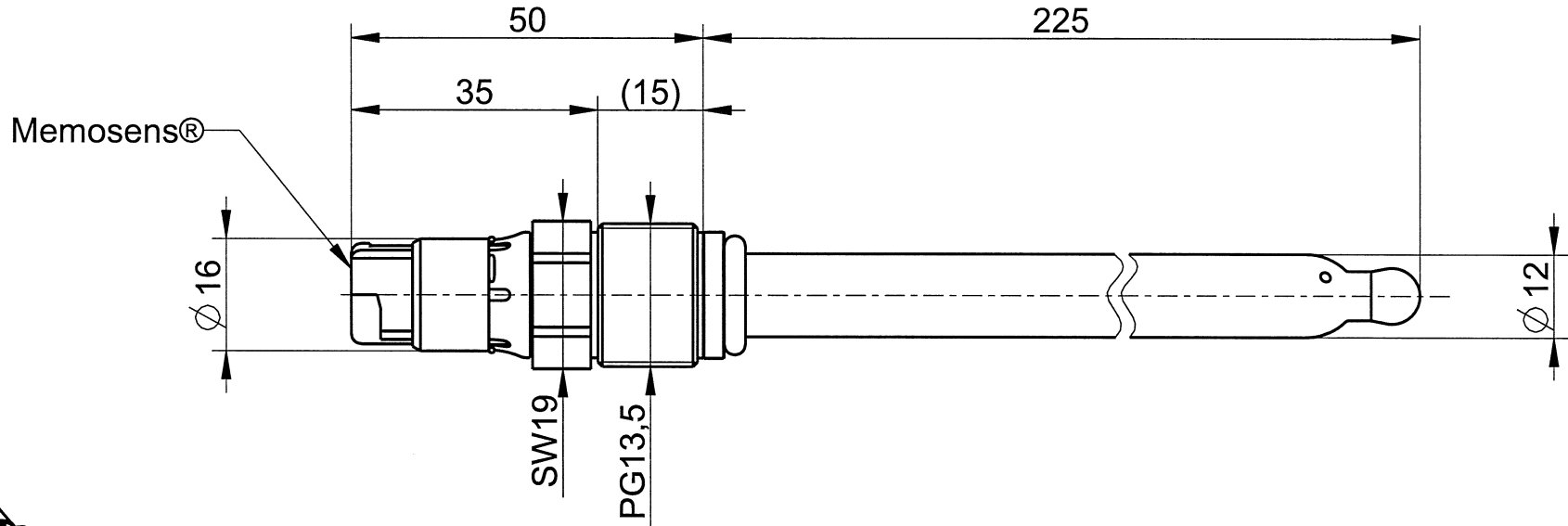
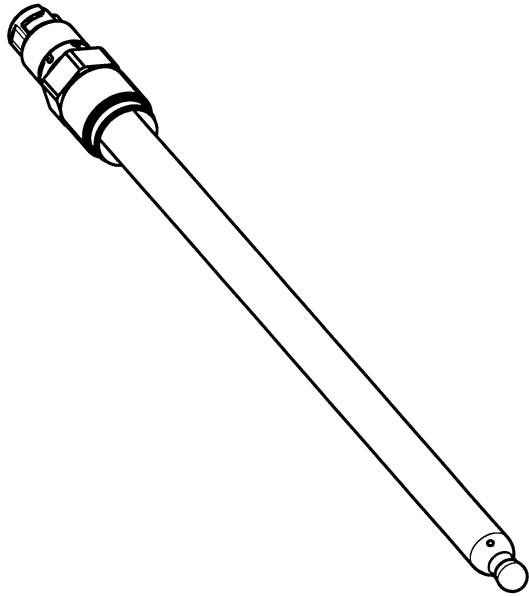


Modell Nr.	242840	Änd. Nr.	
Modell Rev.	00-3-Freigegeben	Änd. Datum	
Objekttyp	ASSEM	Name	
Zeich. Rev.	01-1-Freigegeben		



Information in this document is valid only for the revision indicated and may be subject to change without notice!

Dimensions without tolerances are for information purpose only!

Memosens® is a registered trademark of Endress + Hauser, Reinach (D)

<h2>MecoTrode HF MS 225</h2>	Mass			Scale
	Material			[mm]
	Drawn	K.Ludwig	2015-11-26	A4
	Checked	<i>[Signature]</i>	<i>[Signature]</i>	Sheet
				1/1
				Rev.
				01



Hamilton Bonaduz AG
Via Crusch 8
CH-7402 Bonaduz

SZC242840