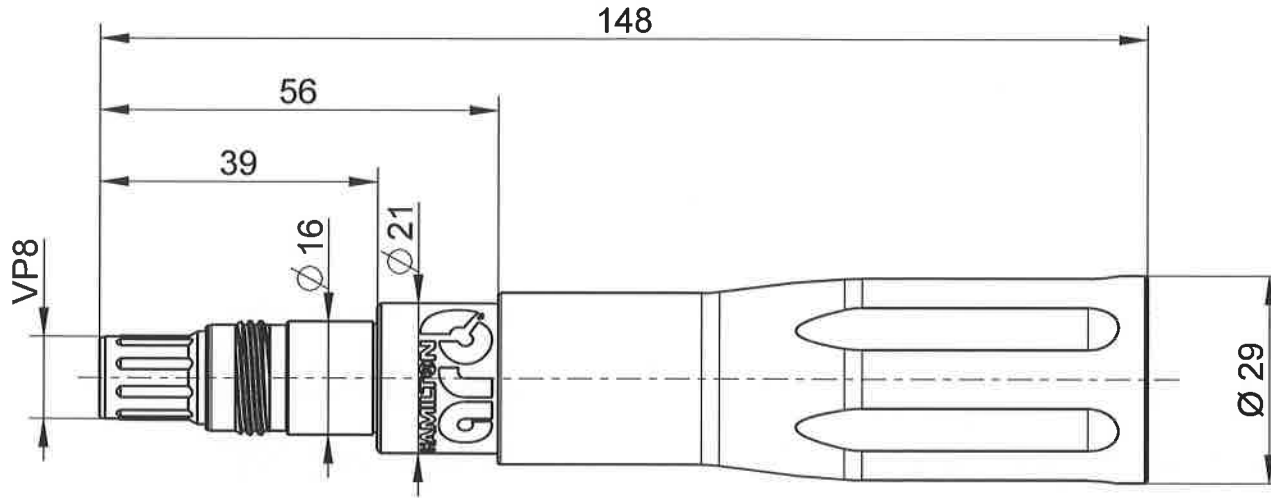
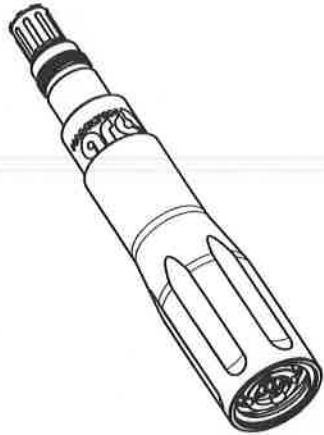
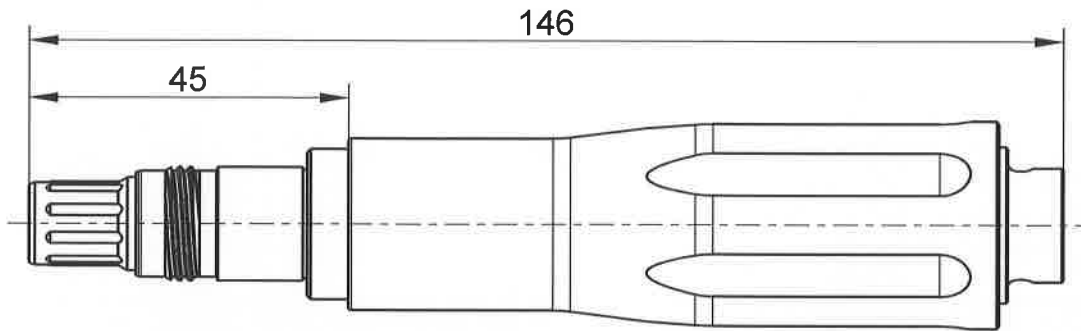


Modell Nr.	10071707	Änd. Nr.	11004731
Modell Rev.	03-12-Released	Änd. Datum	10.03.2020
Objektyp	ASSEM	Name	C. Florescu
Zeich. Rev.	00-9-Released		



Coupling nut engaged



Coupling nut disengaged

Information in this document is valid only for the revision indicated and may be subject to change without notice!

Dimensions without tolerances are for information purpose only!

Arc Module Cond-P SU	Mass		 [mm]	Scale	1/1
	Material			Size	A4
 Hamilton Bonaduz AG Via Crusch 8 CH-7402 Bonaduz	Drawn	K. Leckebusch 219	2019-11-07	Sheet	1/1
	Checked		24.03.2020	Rev.	00
SZC10071707					